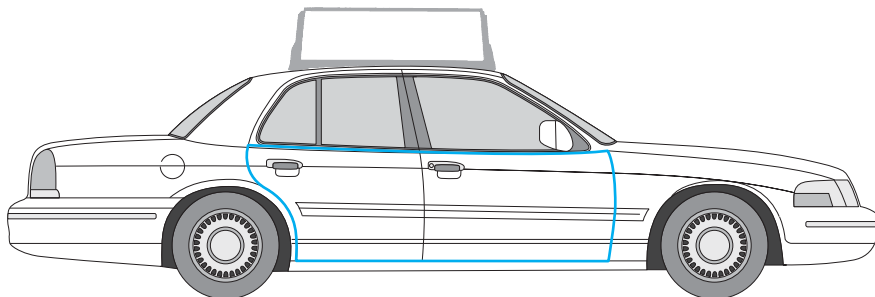
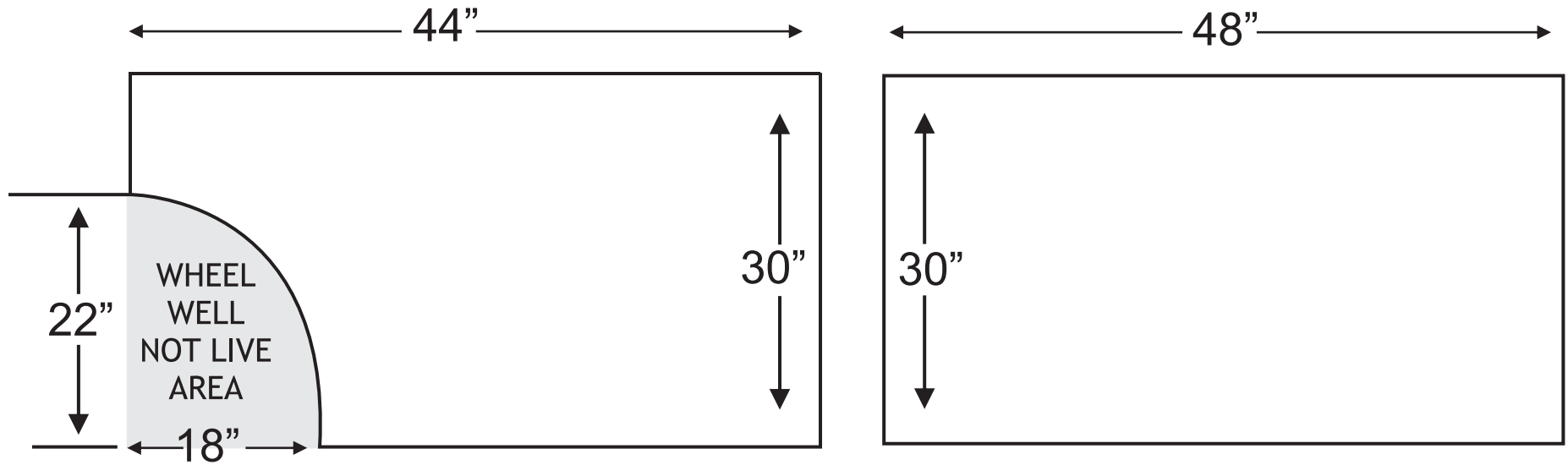


# Ford Crown Vic Door Wrap Template

Right side shown, art file requires reversed images for left side as well.

Note: allow 4" text image free space all 4 sides for fitment



Job Name \_\_\_\_\_

Proof # \_\_\_\_\_

Authorized by \_\_\_\_\_

Date \_\_\_\_\_