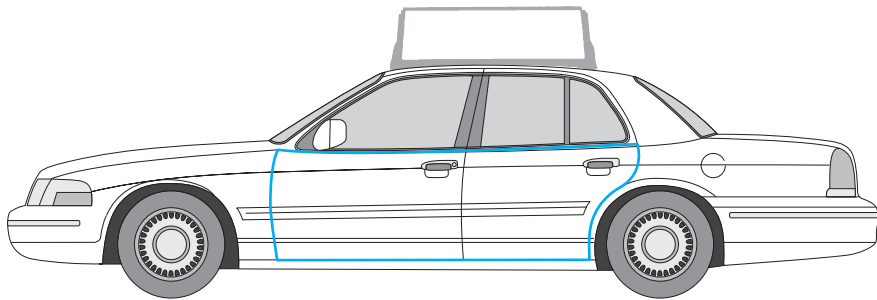
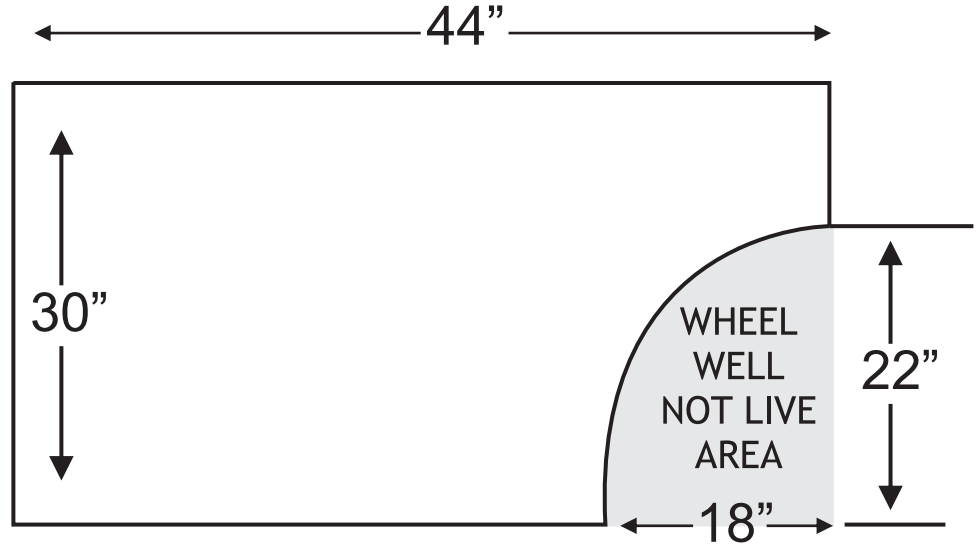
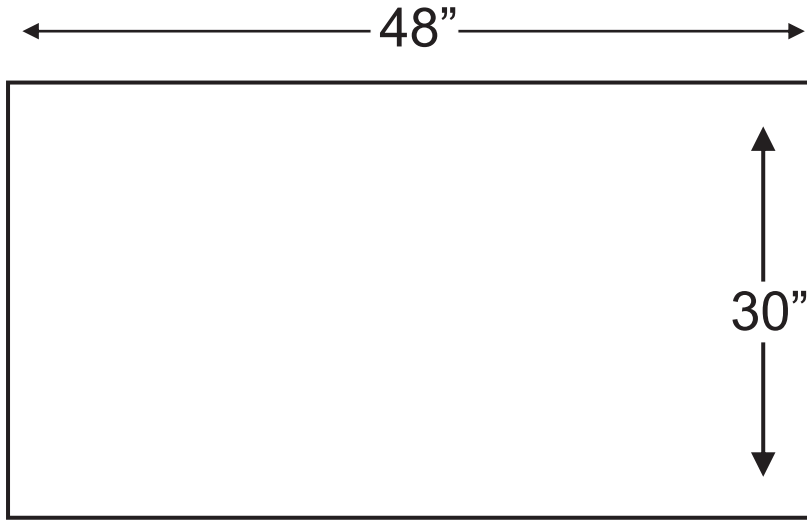


Ford Crown Vic Door Wrap Template

Left side shown, art file requires reversed images for Right side as well.

Note: allow 4" text image free space all 4 sides for fitment



Job Name _____

Proof # _____

Authorized by _____

Date _____